

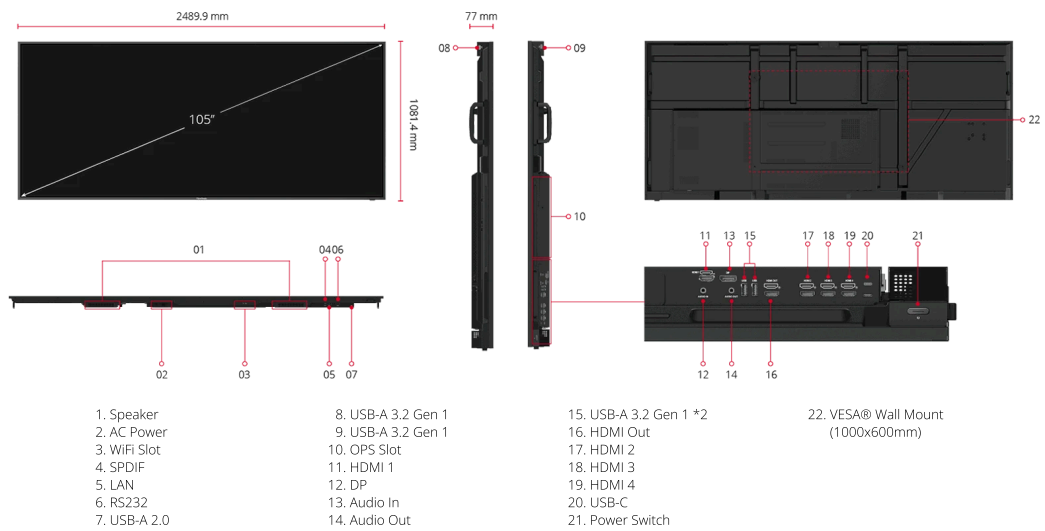
Key Features

- Ultrawide 105" display with 5K resolution for immersive, crystal-clear visuals
- Reliable commercial-grade display ensures smooth multimedia playback 24/7.
- 21:9 aspect ratio optimized for Microsoft Teams Rooms Front Row mode.
- Ultra-slim bezel for sleek, contemporary aesthetic
- Portrait layout capability for versatile and high-impact digital signage.



Product Description

The CDE105UW is an ultrawide 105" digital display delivering stunning image performance with 5K resolution. Designed for both corporate and commercial use, it features a 21:9 aspect ratio, providing 33% more screen real estate than a comparable 16:9 display, making it ideal for Microsoft Teams Rooms and Front Row Mode. Powered by an octa-core SoC running Android 13, the CDE105UW enables seamless multitasking with a USB-C port that delivers 100W and multiple wireless content sharing options. It also supports daisy chaining and comes pre-installed with ViewSonic Manager, a centralized platform that streamlines corporate communication and enhances operational efficiency.



DISPLAY

Panel Size:	105"
Type/ Tech:	TFT LCD Module with DLED Backlight, VA
Display Area (mm):	2449.92(H) x 1033.56(V) (105" diagonal)
Native Resolution:	5120 x 2160
Aspect Ratio:	21:9
Colors:	1.07G colors (8bits+ 2bits FRC)
Brightness:	500nits (typ.)
Contrast Ratio:	5000:1 (typ.)
Response Time:	<14ms
Viewing Angles:	H = 178, V = 178 (Typ.)
Backlight Life:	50,000 hrs (typ.)
Surface Treatment:	Panel Hard Coating 3H
Bezel:	18/18/18/18 mm
Orientation:	Landscape & Portrait

PLATFORM

Processor:	Octa-Core CPU (A76*4 + A55*4)
RAM:	DDR4 8GB
Storage:	128GB (eMMC)

INPUT

HDMI:	Rear x 4 (HDMI 2.1x 1, HDMI 2.0 x3)
DisplayPort:	1
Audio:	1 (3.5mm phone jack)
RS-232:	1
OPS Slot:	1 (OPS Slot 80pin)
WiFi Slot:	1 (Module Slot)

OUTPUT

HDMI:	1
Audio:	1 (Line Out)
SPDIF:	1

LAN

RJ45:	1 in 1 out (Android & PC 10M/100M/1000Mbps)
-------	---------------------------------------------

USB

Type A:	REAR x 1 (USB2.0 support OTG) REAR x 2 (USB 3.2 Gen 1) TOP x 2 (USB3.2 Gen 1) support Smart USB
Type C:	REAR x1 (PD100W+ DP1.2 + USB2.0, 100M ethernet) support smart USB (dynamic PD: W/OPS 65W, W/O OPS 100W)

SPEAKERS

20W x 2 + 20W x 1 (Subwoofer)

COMPATIBILITY

HDMI:	HDMI 1: 5120x2160 @60Hz (YUV444) 5120x2160 @30Hz (YUV420) HDMI 2/3/4: 3840x2160 @60Hz
DisplayPort:	5120 x 2160

EMBEDDED OS

Android 13

BUNDLE SOFTWARE

Wireless Presentation:	myViewBoard Display, vCast, AirSync* *myViewBoard Display will be replaced by AirSync in Q1 2025.
Device Management:	ViewSonic® Manager
ViewSonic Launcher:	Yes
Revel Digital:	Yes

POWER

Voltage:	100-240VAC +/- 10% Wide Range
Consumption:	Normal 320W, Max 800W

ERGONOMICS

Wall Mount (VESA®):	1000 x 600 mm
---------------------	---------------

OPERATING CONDITIONS

Temperature (° C):	0°C to 40°C
Humidity:	20% ~ 80% RH non-condensing

OPERATING HOURS

24/7

DIMENSIONS (W X H X D)

Physical (inch / mm):	98.03 x 42.57 x 3.03 in / 2489.9 x 1081.4 x 77 mm
Packaging (inch / mm):	105.04 x 48.54 x 11.02 in/2668 x 1233 x 280 mm

WEIGHT

Net (lb / kg):	116.96 lb/ 53.05 kg
Gross (lb / kg):	163.14 lb/74 kg

REGULATIONS

cTUVus, FCC/ICES003, CE/EMC, CB/LVD, EAC, UkrSEPRO, UKCA, UK-EEL, LBL, FF, ErP-EEL, WEEE, Green BOM, RoHS DoC, ErP-Eco, REACH, EPEAT

PACKAGE CONTENTS

1. 3m power cord by ship area
2. Type C cable 1.8m(USB-IF certified)
3. Remote control with AAA battery x2
4. Quick Start Guide
5. RS232 adapter
6. Clamp x 5
7. Camera Plate x 2(1 for VB-CAM-201, 1 for UMB202)
8. Screw x 8 (camera 2+2, wall mount 4)
9. HDMI cable 3m(HDMI LA certified)
10. Compliance statement